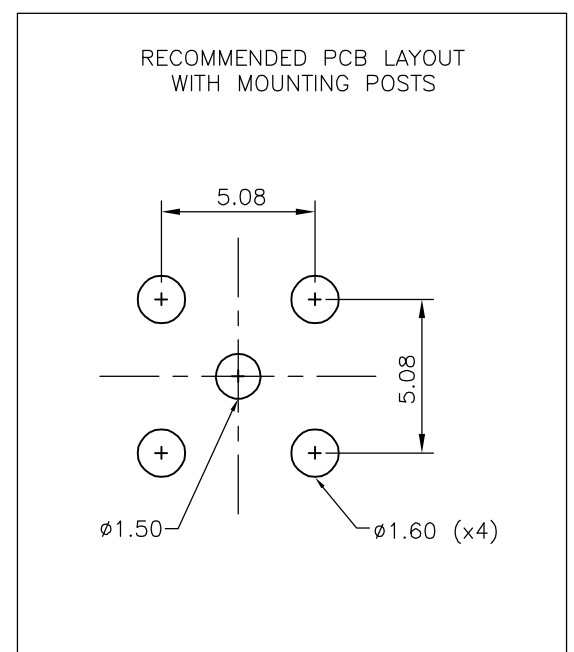
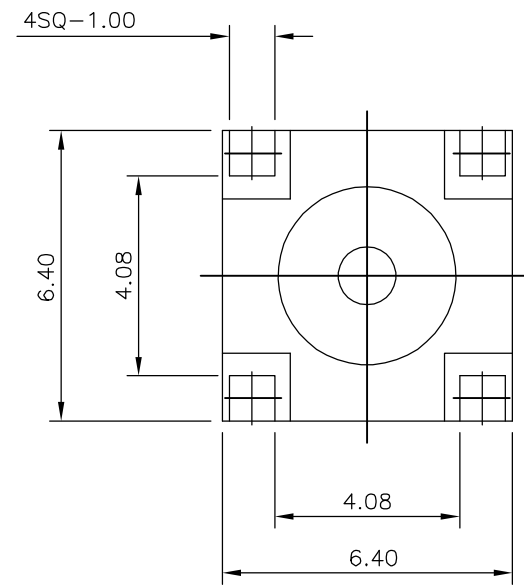
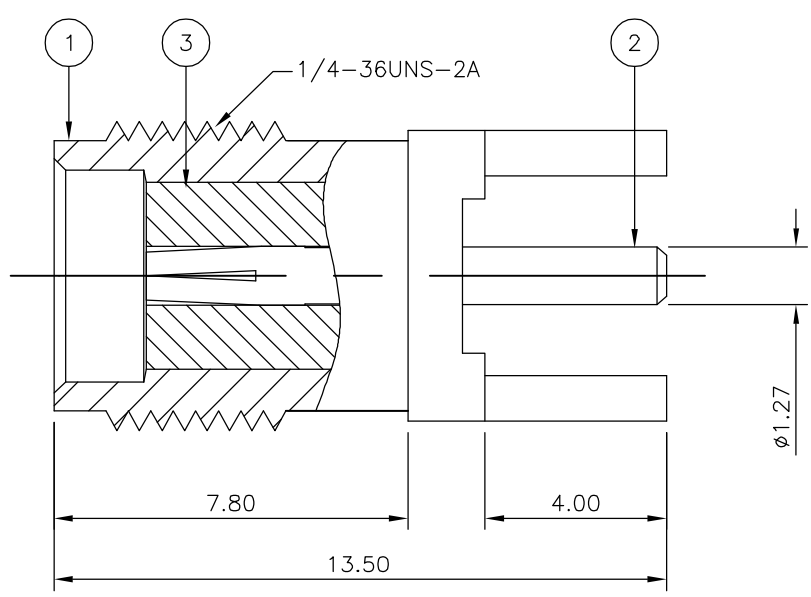


THIS DRAWING IS UNPUBLISHED. RELEASED FOR PUBLICATION JULY, 2006.  
 © COPYRIGHT 2006 BY TYCO ELECTRONICS CORPORATION. ALL RIGHTS RESERVED.

LOC	DIST	REVISIONS			
P	LTR	DESCRIPTION	DATE	DWN	APVD
E	B	A	FIRST ISSUE	31JUL06	JMS FWK

- NOTES**
- 1 SINGLE PACK IN ACCORDANCE WITH AMP SPEC 107-3275
  - 2 100 TRAY PACK IN ACCORDANCE WITH AMP SPEC 107-3275
  - 3 Au PLATING
  - 4 ELECTRICAL CHARACTERISTICS  
 FREQUENCY RANGE: DC-3GHz  
 NOMINAL IMPEDANCE: 50 OHMS  
 INSULATION RESISTANCE: 5000 MOHMS  
 DIELECTRIC WITHSTAND VOLTAGE: 500V RMS  
 CONTACT RESISTANCE: CENTRE CONTACT 3 mOHMS  
 OUTER CONTACT 2 mOHMS
  - 5 MECHANICAL CHARACTERISTICS  
 DURABILITY: 50 CYCLES  
 TORQUE SETTING: 0.15-0.20 NM



QTY	QTY	MATERIAL	DESCRIPTION	ITEM
1	1	PTFE	INSULATOR	3
1	1	PHOSPHER BRONZE	SOCKET	2
1	1	ZINC ALLOY	BODY	1
5	15			0

QUANTITY PER ASSY: 5  
PARTS LIST

THIS DRAWING IS A CONTROLLED DOCUMENT.		DWN J.SANDWELL 31JUL06	Tyco Electronics Corporation Bideford EX39 4HE	
DIMENSIONS: mm		CHK S.PARLOW 31JUL06		
TOLERANCES UNLESS OTHERWISE SPECIFIED:		APVD F.WHEELER-KING 31JUL06	NAME SMA STRAIGHT PCB SOCKET DIE CAST	
0 PLC ± - 1 PLC ± - 2 PLC ± - 3 PLC ± - 4 PLC ± - ANGLES ± -		PRODUCT SPEC -	SIZE CAGE CODE DRAWING NO RESTRICTED TO	
MATERIAL SEE TABLE		APPLICATION SPEC -	A3 00779 C-1814832	
FINISH -		WEIGHT -	CUSTOMER DRAWING SCALE NTS SHEET 1 OF 1 REV A	